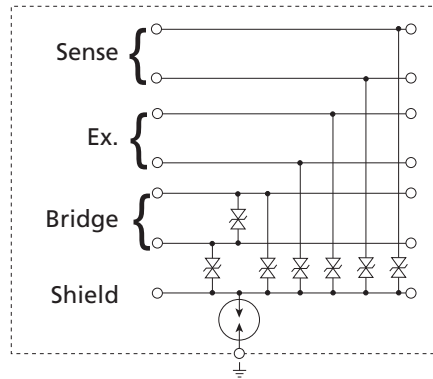


CRITEC® Loadcell Protector

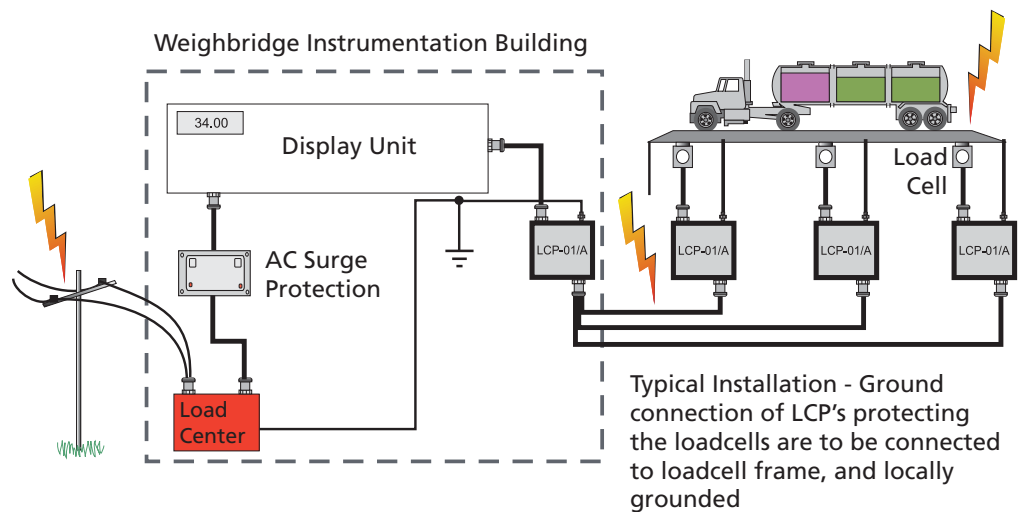
Features

- 6 wires and shield protection – works with 4 or 6 wire systems
- Suitable for compression or tension cells
- Low series impedance – loadcells do not need recalibration
- NEMA-12 (IP-55) rated – suitable for outdoor use
- Helps protect against excitation over-voltage – helps prevent loadcell damage



The Load Cell Protector (LCP) series is designed to provide protection to load cells from lightning induced transients. Experience has shown that the strain gauge bridge is easily damaged by surge and transients. Industrial cranes are also prime targets for lightning strikes. The LCP is well suited to such applications to help provide protection for plate cells, tension cells and load pin cells installed on cranes. The LCP is designed for 4 or 6 wire systems. Protection of the bridge, as well as the excitation voltage source is provided, using low capacitance clamping devices in order to avoid ground loop problems.

Model	LCP01A
Item Number for Europe	701610
Technology	Silicon Avalanche Diode
Max Discharge Current, I_{max}	300A 8/20 μ s (signal to shield) 10kA 8/20 μ s (shield to ground)
Dimensions H x D x W: mm (in)	75 x 56 x 110 (2.95 x 2.20 x 4.33)
Weight: kg (lbs)	0.25 (0.55)
Enclosure	ABS, IP55 (NEMA-12)
Connection	Screw terminals for 4 or 6 wire loadcells
Voltage Protection Level, U_p	30V (signal to shield) 15V 8/20 μ s (signal to signal) 90V (shield to ground)
Temperature	-40°C to 80°C (-40°F to 176°F)
Loop Resistance	0.3 Ω



NEMA is a registered trademark of the National Electrical Manufacturers Association

WARNING

ERICO products shall be installed and used only as indicated in ERICO's product instruction sheets and training materials. Instruction sheets are available at www.erico.com and from your ERICO customer service representative. Improper installation, misuse, misapplication or other failure to completely follow ERICO's instructions and warnings may cause product malfunction, property damage, serious bodily injury and death.

Copyright ©2008 ERICO International Corporation. All rights reserved.

CADDY, CADWELD, CRITEC, ERICO, ERIFLEX, ERITECH, and LENTON are registered trademarks of ERICO International Corporation.

www.erico.com

